

charger
mains on
bulk
absorption
float

I on
O off
⏻ charger only

ill
in
over
low ba
temp

Systems Brochure

All the power you need, whenever and wherever you want.

The range of products available from Victron Energy covers:

- Sinewave Inverters
- Combined Inverter/chargers
- Automatic Battery Chargers
- DC DC Converters
- Transfer Switches
- Deep Cycle Gel and AGM batteries
- High Power Alternators
- Battery Monitors
- DC Distribution Units
- Control and Distribution Panels
- Battery Isolators
- Shore Power Connection Kits
- System Monitoring and Control

Full technical details are available from our website: www.victronenergy.com

World-wide service and support.

Having served both the commercial and leisure marine sectors as well as vehicle and industrial markets for over 30 years, Victron has an established network of dealers and distributors covering the whole world. Our customer base is such that providing prompt and competent local service is essential and this is reflected in the capabilities of our support network. Our flexible approach to service support and our commitment to quick turnaround for repairs is market leading. There are countless examples of Victron products that have provided decades of reliable service in the most demanding applications. This level of reliability combined with the highest level of technical know how means that Victron Energy power systems offer the very best value available.



Introduction

However far you travel, a reliable power source is an essential requirement for providing optimum onboard comfort. This necessity becomes even greater in remote places where the power supply is less dependable. So now you can enjoy a hot shower or a cold drink, whenever and wherever you want, without worrying about where your power is coming from.

Victron Energy offers a complete range of power systems, designed to meet a diversity of requirements. From small craft to large sailing yachts, mobile homes, utility vehicles or industrial applications, our systems offer the ideal solution to your specific power needs.

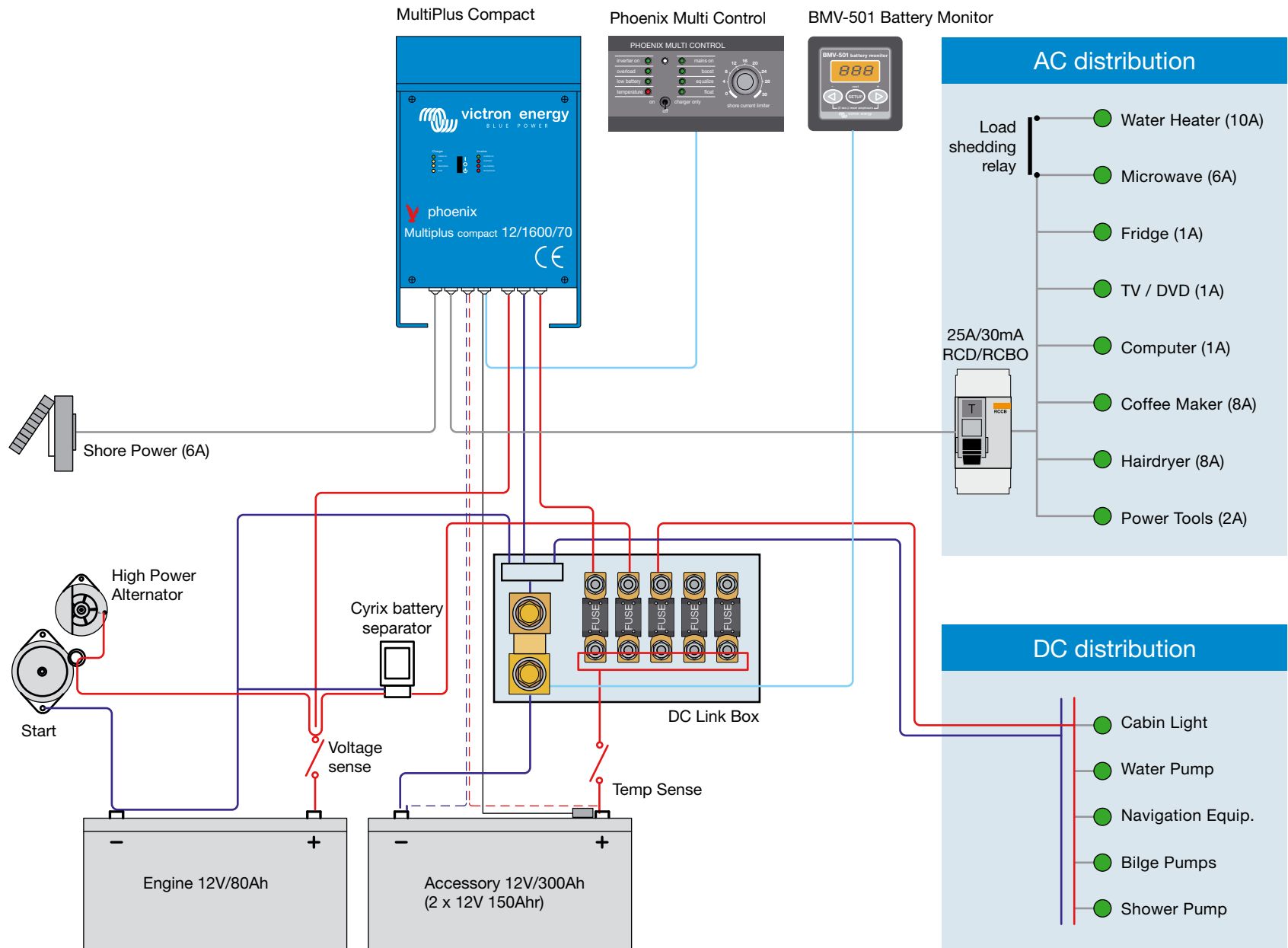
This brochure provides details of our six basic systems. Depending on your needs, power usage may vary, so each of these systems can be adapted to meet specific requirements. All the power you need, whenever and wherever you want.

About Victron Energy

With over 30 years' experience, Victron Energy enjoys an unrivalled reputation for technical innovation, reliability and quality, and is world leader in the supply of self-supporting electric power. Our products have been designed to meet the most demanding situations faced by a diversity of craft, recreational and commercial alike, whilst we also cater for many other industrial and commercial applications. Our product range includes sine wave inverters and inverterchargers, battery chargers, DC/DC converters, transfer switches, Gel and AGM batteries, alternators, battery monitors, complete network solutions and many other innovative solutions.



Compact System with standard monitoring - 3kVA (13A) capacity



Compact System

Suitable for: Sailing or motor yachts up to 10 meters, recreational vehicles, utility vehicles

The Compact system is ideal for smaller yachts, utility vehicles and RVs which have a limited selection of onboard electrical equipment. The system provides power for basic onboard appliances such as lighting, hair dryer, microwave, a TV / DVD and other smaller items. The heart of the system is the MultiPlus inverter charger combination which monitors and manages your power usage and functions automatically to ensure a constant supply of energy. The power is supplied by battery and/or by shore power.

Appliances

- Lighting
- Communication & navigation
- Coffee Maker
- TV / DVD
- Laptop
- Small chargers (mobile phone, electric shaver)
- Electrical power tools
- Refrigerator
- Microwave
- Hairdryer



MultiPlus Compact
12/1600/70



BMV-501 Battery
Monitor



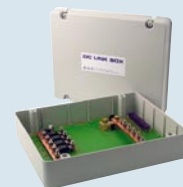
2x 12V/150Ah &
1x 12V/80Ah



Phoenix Multi Control



Alternator 12/150



DC Link Box



Cyrix



Shore Power

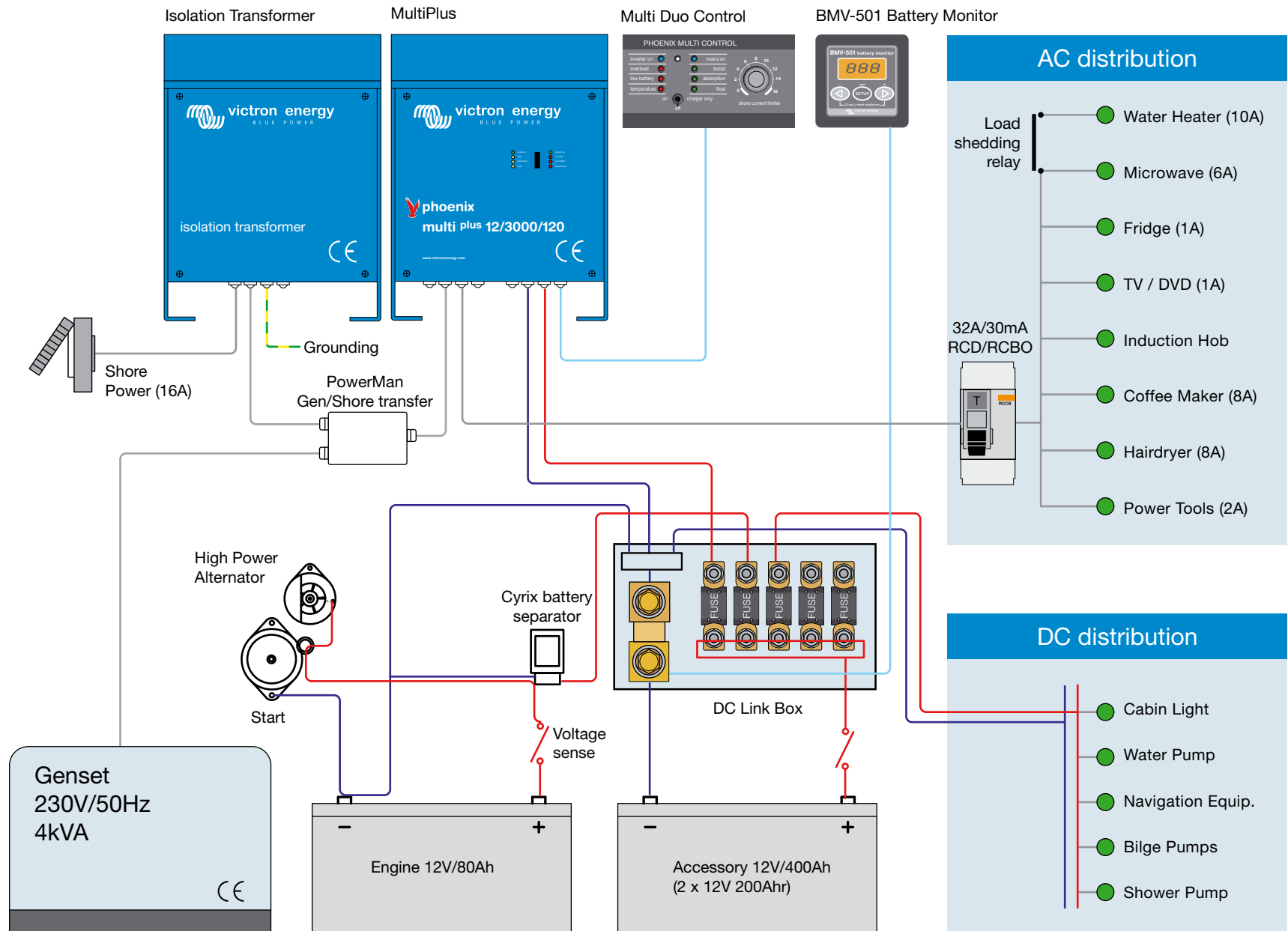
Phoenix MultiPlus

Multi-functional inverter / battery charger with intelligent shore and generator power management

The MultiPlus gets its name from the multiple functions it will perform. It is a powerful sinewave inverter, a sophisticated battery charger that features adaptive charge technology and a high speed power transfer switch; all in a tough, compact enclosure. The MultiPlus is much more than this, however, and its many advanced, even unique, functions open a whole new spectrum of applications.



Comfort System - 7kVA (30A) capacity



Comfort System

Suitable for: Sailing or motor yachts up to 15 meters, recreational vehicles, utility vehicles

Ever wished you could accommodate greater creature comforts on board? Limitations in the availability of power or a lack of space often mean that you simply go without. Our comfort system addresses both these issues very effectively by making best use of the space and energy resources you have on board.

Power available from shore or generator will sometimes be insufficient to handle the demand from your appliances. When these situations occur, the MultiPlus will compensate by borrowing energy from the battery to top up what is available. This means you can do a lot more from a smaller generator or limited shore supply. This space liberating package makes it possible to accommodate and power luxuries that would otherwise not be possible.

Appliances

- Lighting
- Communication & navigation
- Water heater
- Microwave oven
- 2 ring induction hob
- Coffee machine / Kettle
- TV/ DVD
- Laptop
- Small chargers (mobile phone, electric shaver)
- Refrigerator and freezer



MultiPlus 12/3000/120



BMV-501 Battery Monitor



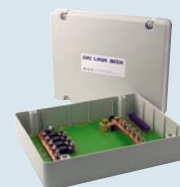
2x 12V/200Ah &
1x 12V/80Ah



Multi Duo Control



Alternator 12/150



DC Link Box



Isolation Transformer



PowerMan
Transfer Switches

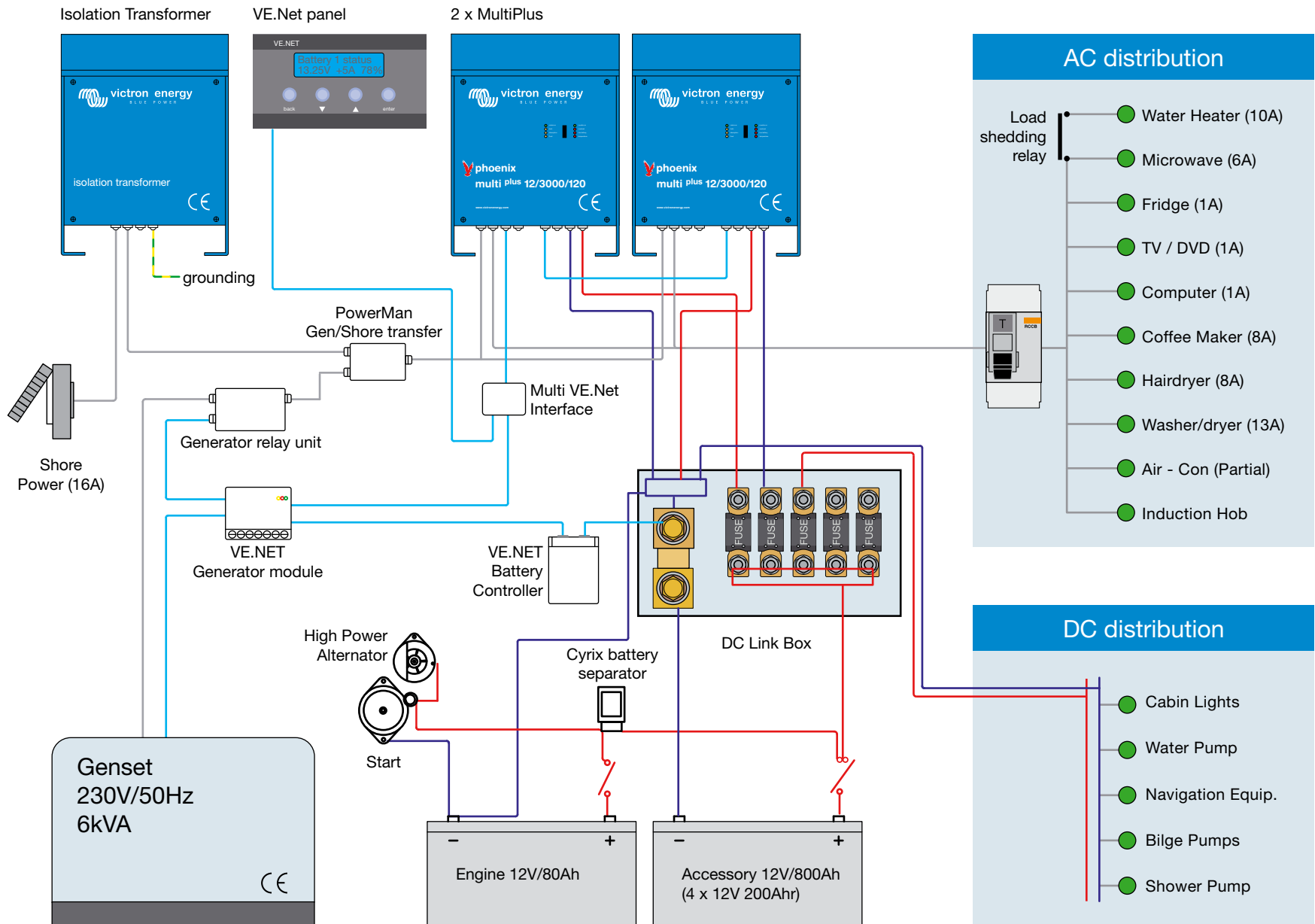
Isolation Transformers

Indispensable in professional marine energy systems.

Isolation Transformers prevent electrolytic corrosion and above all serve as a device to guarantee a safe electric system. Our Isolation Transformers have toroidal wound technology for quietness and high efficiency. Soft start circuitry will ensure that the shore circuit breaker will not trip when plugged in.



Comfort Plus System - 12kVA (50A) capacity



Comfort Plus System

Suitable for:
Sailing or motor yachts up to 20 meters, large RV's, larger utility and specialist vehicles.

The Comfort Plus system has been designed to meet the power needs of larger yachts, motorboats and specialist vehicles. The total power available is 12kVA (when using shore or generator with the Inverters in Power Assist mode) with an absolute peak of 16kW. Energy is supplied through a powerful generator and a set of inverter chargers. In this way, the system is able to supply power to a wide range of appliances, allowing you to enjoy all your normal home comforts. The unique shore and generator power-boost offers additional power at peak demand. So even when connected to limited shore power, you can use all your equipment without the need for the generator.

Appliances

- Lighting
- Communication & navigation
- Water heater
- Electric galley with 4 ring induction hob, microwave/combi oven, refrigerator, freezer, washer/ dryer.
- Coffee machine and kettle
- TV/ DVD
- Multimedia PC
- Small chargers (mobile phone, shaver etc)
- Modest air-conditioning



2x MultiPlus
12/3000/120



4x 12V/200Ah &
1x 12V/80Ah



PowerMan Transfer
Switches



Alternator 12/150



Multi Duo Control



VE.Net control &
monitoring panel



DC Link Box



Isolation Transformer

VE.Net - total power management

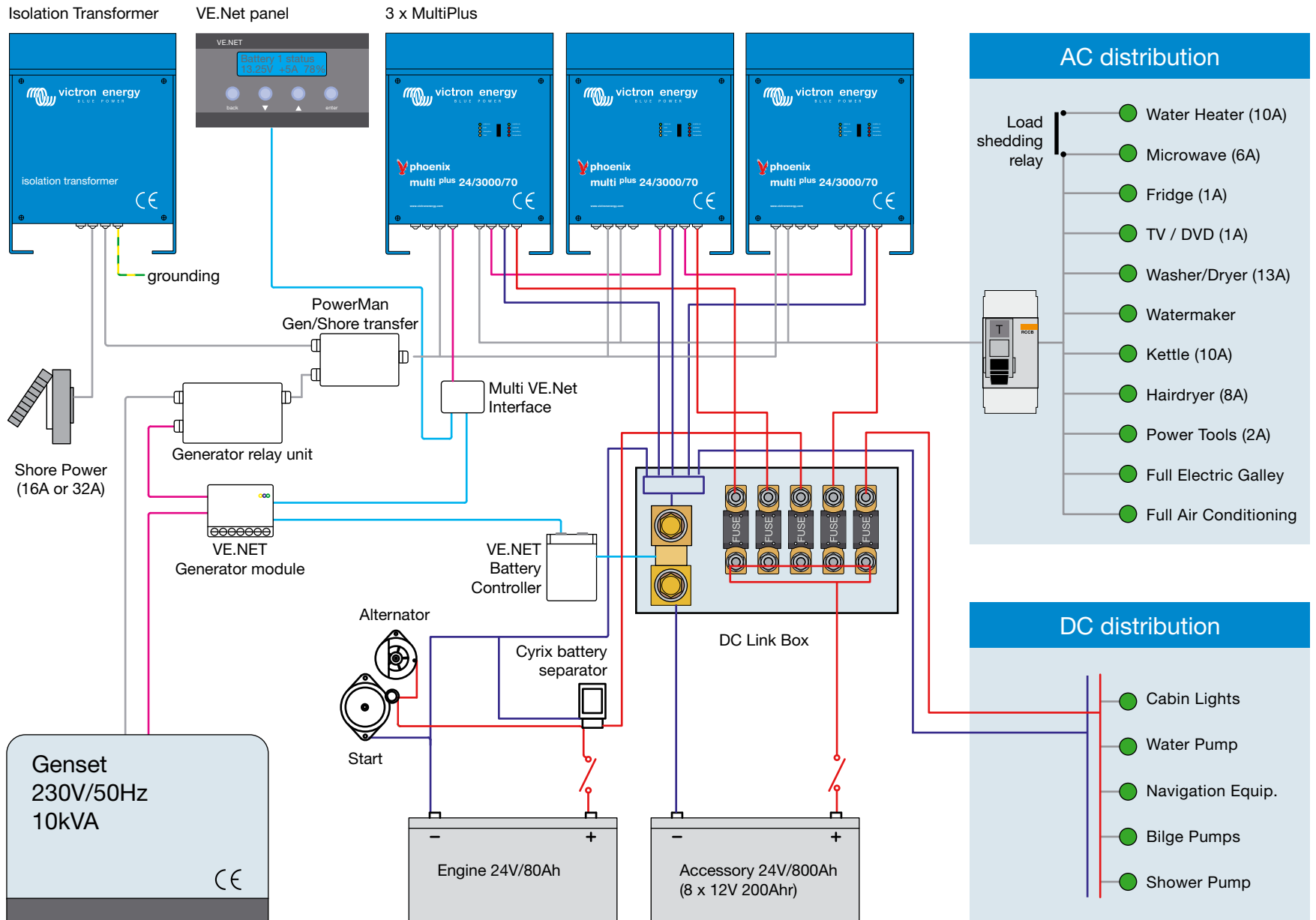
For the ultimate in monitoring and control of your power system, VE.Net represents the state of the art. As a truly integrated solution, VE.Net provides the following components:

- VE.Net panel - multi character display and interface panel
- Battery Controller - full function battery monitoring module (any number can be connected to the network).
- Generator control - full monitoring and control of your generator including auto start/stop functionality.
- Connectivity module - enables full access to system status and control remotely through the internet. This module also provides fully detailed geographical positioning.

VE.Net can also be integrated with any number of other devices including an on board PC, power distribution systems and or senders and alarms. Your imagination is the only limit to what is possible.



Comfort Pro System with VE.Net - 19kVA (83A) capacity



Comfort Pro System

Suitable for: Sailing and motor yachts up to 25 meters.

Power without compromise.

The Comfort Pro system offers all the comforts you can imagine...and more: air-conditioning, heating, hot and cold running water, audio-visual entertainment, induction cooking, etc. The Comfort Pro system has been specially designed to meet the power requirements of larger vessels. A powerful generator and a set of MultiPlus inverter/chargers provide you with guaranteed power, even at peak periods, when the MultiPlus draws additional power from the battery bank, providing you and your guests with maximum onboard comfort.

Appliances

- Lighting
- Communication & navigation
- Full air-conditioning
- Extended full electric galley with 4-ring induction hob, conventional oven/grill, microwave, dishwasher, fridge and freezer
- TV/ DVD
- Entertainment equipment
- Laptop
- Washer/dryer
- Water maker



3x MultiPlus
24/3000/70



8x 12V/200Ah &
2x 12V/80Ah



PowerMan Transfer
Switches



Alternator 24/140



Multi Duo Control



VE.Net control &
monitoring panel



DC Link Box

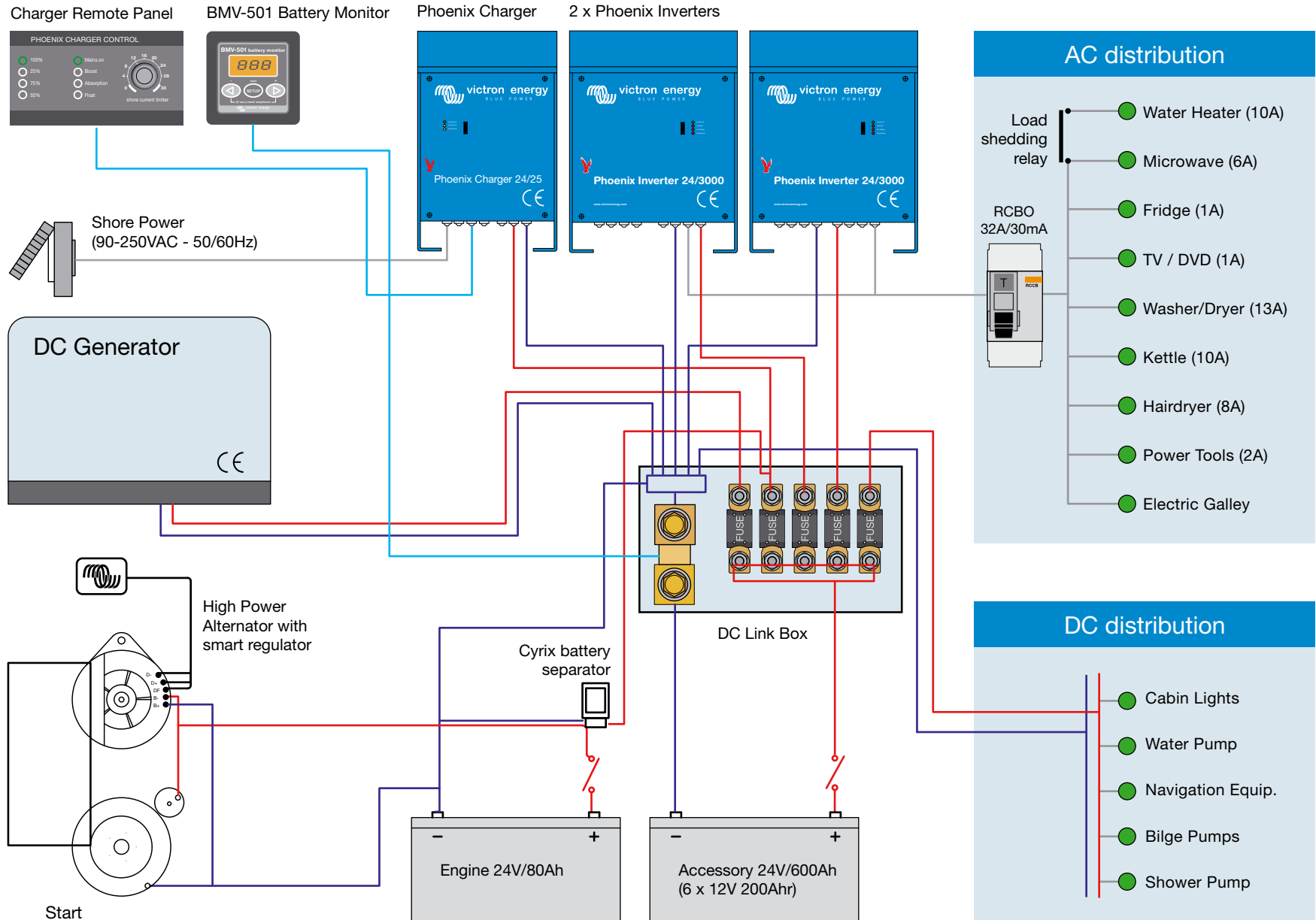


Isolation Transformer

PowerMan Transfer Switches

Ideal to build a no-break power supply with several paralleled Multi's.

Comfort Worldproof System - 6kVA (30A) capacity



Comfort Worldproof System Suitable for: Boats / motoryachts up to 20 meters

Our Comfort Worldproof system liberates you from dependence on the capacity of shore power wherever you are in the world and regardless of the supply voltage available to you. This system allows the use of heavy duty appliances such as cooking or air conditioning in addition to a full complement of common appliances. The main power source is a DC generator that supplies power for battery charging and also to a set of powerful inverters. When plugged into shore the battery charger, that has automatic universal compatibility, makes use of whatever is available to maintain the battery. The capacity of 6kVA, is available at all times of the day, wherever you are in the world and regardless of being in a secluded bay or berthed in a marina. The beauty of this package is in its simplicity and ease of use. Capacity can easily be increased by adding additional inverter and/or charger power for truly uncompromised worldproof freedom even on the largest vessels.

Appliances

- Lighting
- Communication & navigation
- Electric Galley
- TV/ DVD
- Entertainment equipment
- Laptop
- Washer/dryer



2x Phoenix Inverter
24/3000



BMV-501 Battery
Monitor



6x 12V/200Ah &
1x 24V/80Ah



Phoenix Charger
Control



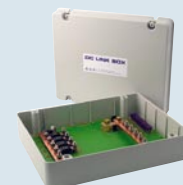
Alternator 24/140



Shore Power



Phoenix Charger 24/25



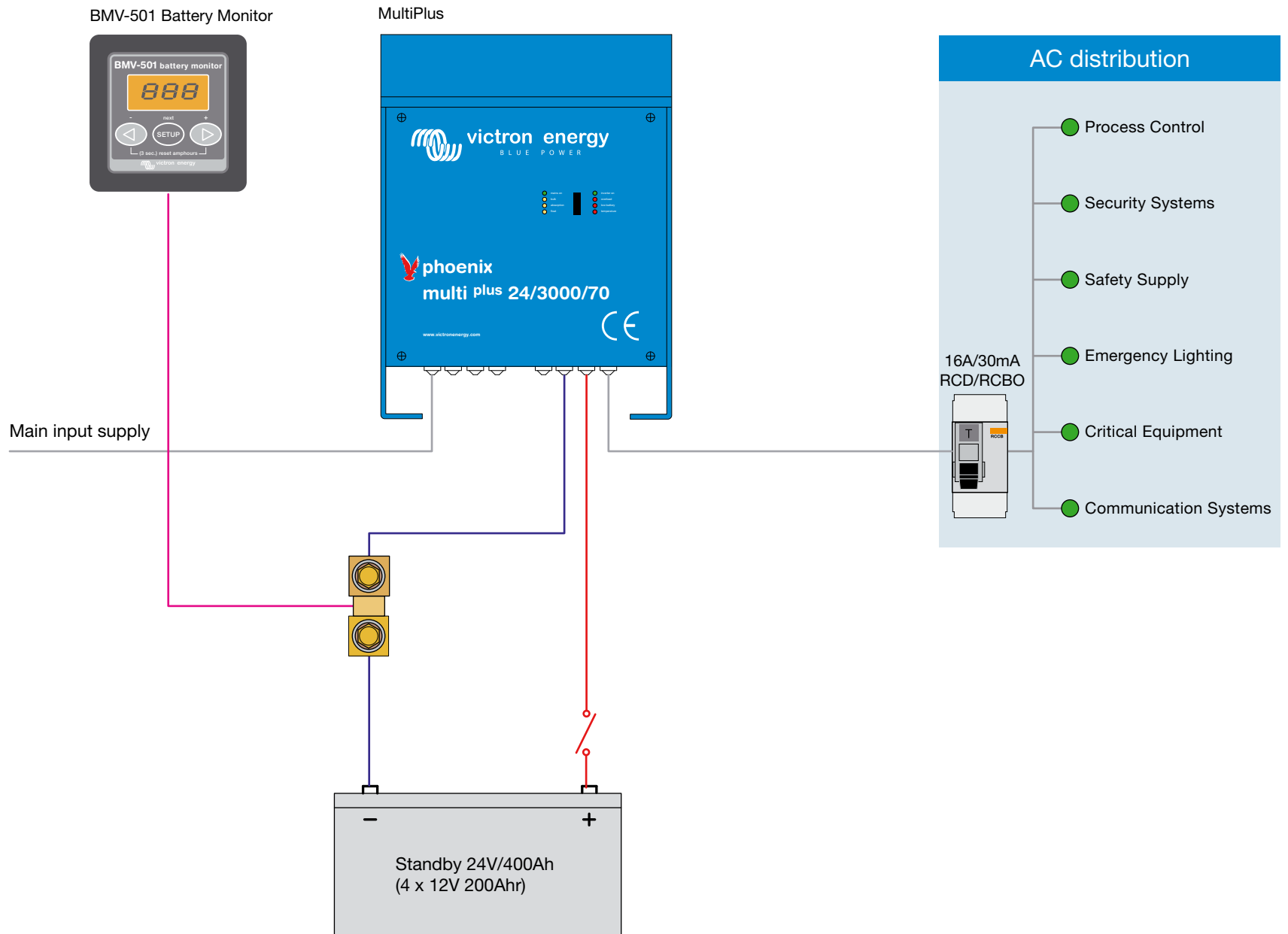
DC Link Box

Adaptive 4-stage charging

A Phoenix Charger or MultiPlus identifies how much energy remains in the battery at the beginning of each cycle. The charge parameters are then adapted to deliver exactly what is needed; no more and no less. This process ensures fast and complete charging without causing damage through overcharging. Properly charged batteries will last much longer as well as giving you more useable energy.



Uninterruptible Power Supply for Industrial applications



Uninterruptible Power Supply for Industrial applications

For a variety of obvious reasons technical equipment and processes require a reliable and secure power supply to guarantee performance. Power failure can be costly or dangerous and often both. The industrial system offered by Victron provides a cost effective solution to power security. In the event of a power failure, the system will automatically pick up the supply allowing things to operate as usual and without disturbance.

This works equally well as a dedicated system for a specific appliance or process or as a centralised system to support a number of critical installations. Parallel connection for increased capacity and three phase configuration mean that a very wide range of situations can be catered for. Options also exist for remote monitoring and control as well as signals being available for alarms and status. Connection through VE configure allows the system to be configured and adjusted to suit any specific requirements or circumstances.

Appliances

- Process Control
- Security Systems
- Safety Supply
- Emergency Lighting
- Critical Equipment
- Communication Systems
- Traffic Lights



MultiPlus 24/3000/70



BMV-501 Battery Monitor



4x 12V/200Ah

VEConfigure set-up software

To enable fine tuning of your MultiPlus, VEConfigure software is available that provides the means to easily adjust parameters and control specific features such as manipulating the battery charge characteristics or for working with portable generators. This powerful tool is not for everyone, however, so discuss with your distributor how best to make use of this facility.



Energy Unlimited

With the features of parallel connection and PowerAssist what can be achieved is truly amazing. All the possibilities for optimising the use of energy resources are explored in the book 'Energy Unlimited' that is free to download at www.victronenergy.com or can be sent to you free of charge on request. The book provides details about effective battery management, how to apply the MultiPlus in different circumstances and much more practical advice on power systems in general.

